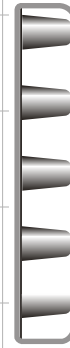


J-DRain®

Prefabricated Drainage Composites



APPLICATIONS

PLANTERS

ROOF GARDENS

PLAZA DECKS

SPLIT-SLABS

J-DRain® 700 Series

SECTION 02622

J-DRain 700 Series Performs a multi-faceted role by providing protection for waterproofing systems and collecting excess water in planters, roof top gardens, and other horizontal surfaces. Planting soil is retained while allowing water to pass into the drainage core. The collected water is then conveyed to a proper collection system.

J-DRain® 700

Consists of a heavy duty impermeable polymeric sheet cusped under heat and pressure to form a high flow dimpled drainage core. The core is then bonded to a layer of woven filter fabric. The filter fabric retains soil or sand particles as well as freshly placed concrete or grout, allowing filtered water to pass into the drainage core.

J-DRain® 720

The identical properties as J-DRain 700 with the addition of a protection sheet bonded to the back side of the cusped core providing protection for soft membrane waterproofing systems. J-DRain 720 is compatible with waterproofing without the use of a protection board.

J-DRain® 780

Consists of a heavy duty impermeable polymeric cusped sheet bonded to a layer of heavy duty non-woven filter fabric (8 oz/sq Yd.)

JDR Enterprises, Inc.

292 south main street, suite 200, alpharetta, georgia 30004-1950

J-DRain®

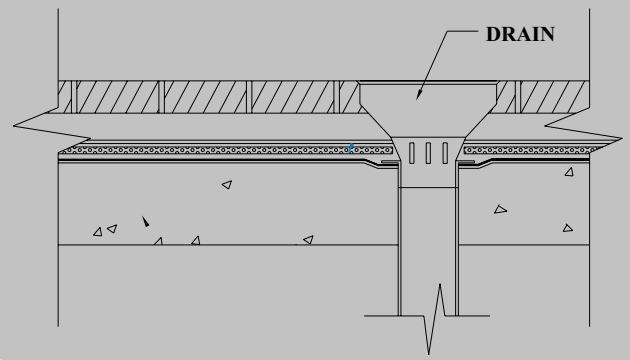
Prefabricated Drainage Composites



APPLICATION:

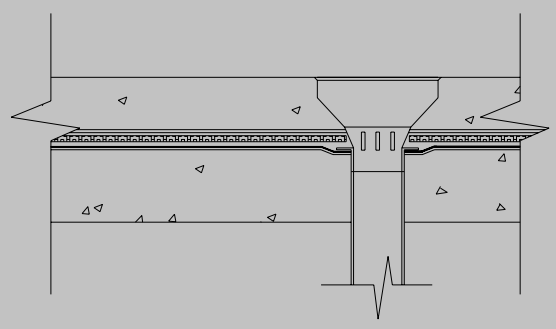
PLAZA DECKS

J-DRain 700 / 720



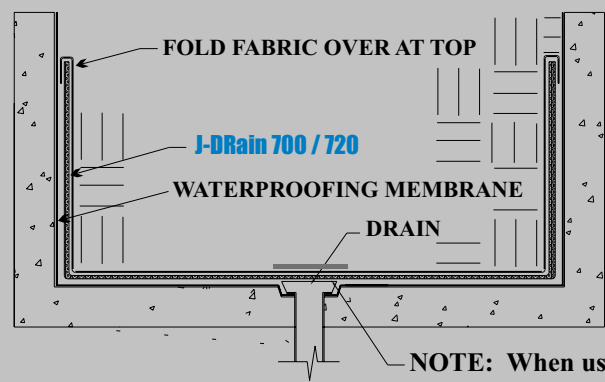
APPLICATION:

SPLIT-SLAB



APPLICATIONS:

PLANTERS & ROOF GARDENS



NOTE: When using J-DRain 400 & 420 cut and remove drainage core and cover with an aluminum plate as shown.

Physical Properties

Core

Fabric

Compressive Strength (ASTM D-1621)	21,000 psf	1005 kNm ²
Thickness (ASTM D-1777)	.40 in.	1.016 cm.
Flow (ASTM D-4716)	21 gpm/ft width	261 lpm/m width
Hydraulic gradient = 1		
Roll Weight	50,100 lbs.	22,44 kgs.
Roll Width	4,8 ft.	1.22,2.45 meters
Roll Length	50 ft.	15.24 meters

	<u>700/720</u>	<u>780</u>
Flow (ASTM D-4491)	145 gpm/ft ² 5907 lpm/m ²	95 gpm/ft ² 3866 lpm/m ²
Puncture (ASTM D-4833)	100 lbs. .44 kN	130 lbs. .58 kN
AOS(EOS) (ASTM D-4751)	40 U.S.Sieve .42 mm	80 U.S.Sieve .18 mm
Grab Tensile(ASTM D-4632)	365 lbs 1.62 kN	205 lbs .90 kN

The information contained herein is believed by JDR Enterprises, Inc. to be accurate and is offered solely for the customer's consideration, investigation and verification. Determination of suitability for use is the responsibility of the user.

Be sure to visit our website at <http://www.j-drain.com>

JDR Enterprises, Inc.

e-mail info@j-drain.com

292 south main street • suite 200 • alpharetta, ga 30004 • 1-800-843-7569 • 770-442-1461 • fax 770-664-7951